

## BRIEF INFORMATION

### LED Light Bar 350

- Powerful LED work light
- Modular mounting concept – for universal use
- Highly corrosion-resistant thanks to plastic housing

## PRODUCT FEATURES

### **Innovative design and maximum flexibility**

Thanks to its innovative design, this new LED light bar from HELLA is suitable for a wide range of target groups and applications. The LED Light Bar 350 has been designed with maximum flexibility in mind. The thermally conductive plastic housing offers a huge range of mounting options, and is both very lightweight and fully corrosion-resistant.

### **Illumination that turns night into day**

The LED Light Bar 350 offers very wide light distribution, ensuring that the entire work area is illuminated evenly. The colour temperature of around 5,000° kelvin is the same as natural daylight. This leads to a significant improvement in contrast perception, better colour representation and less strain on the eyes.

### **Economically efficient**

Thanks to its highly efficient LEDs, the LED Light Bar 350 is a great headlamp for energy saving. With an energy consumption of just 25 watts, it delivers a high light output of 2,200 lumens (for comparison: 2 x halogen H3 = approx. 2,200 lumens at 110 watts).

### **Long service life thanks to optimal thermal management**

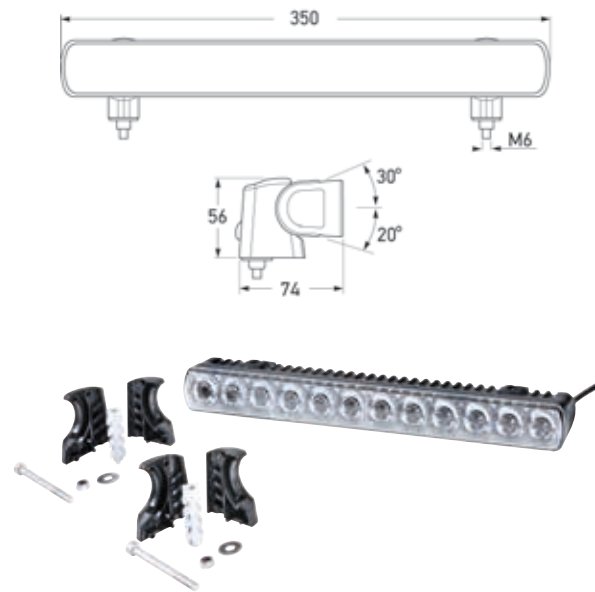
The electronics are multivolt-capable and guarantee constant brightness, even when the operating voltage fluctuates between 9 and 33 volts. In addition to this, temperature sensors protect the work light from overheating. This is the only way to ensure the long service life of the LEDs and a safe environment for working at night.

# TECHNICAL DETAILS

## Technical Data

Article number	1GJ 958 040-501
Operating voltage / Rated voltage	9-33 V
Recommended tilt angle	10°-15°
Light source type	12 high-power LEDs
Power consumption	25 W
Light output	2,200 lm
Colour temperature	5.000° Kelvin
Protection class	IP 6K9K und IP6K7
Type approval	Ⓜ, ECE-R10, RCM
Housing	Thermally conductive plastic
Connection	2,500 mm cable (open-ended)
Light emission surface	345 x 40 mm
Weight	660 g
Manufactured in	New Zealand

## Dimensional sketch



Scope of supply

# DETAILS

## Plastic bracket spare part

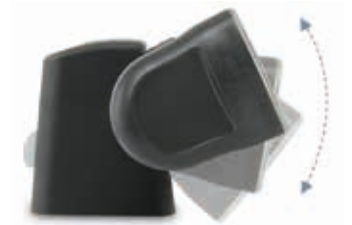


### Scope of supply

- 2 x plastic bracket halves
- 1 x C-clip
- 1 x toothed clamping piece
- 1 x stainless steel/nylon M6 lock nut
- 1 x stainless steel M6 x 70 mm hexagon socket screw
- 1 x stainless steel M6 disc



Mounting position

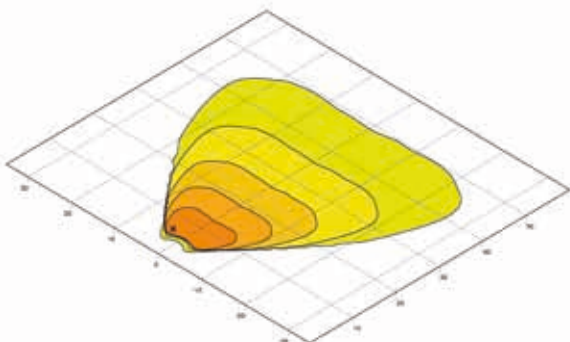


Swivelling range

**8HG 958 053-801**

Please order 2 units per headlamp.

# LIGHT DISTRIBUTION



Close-range illumination



## ACCESSORIES - UNIVERSAL BRACKET

HELLA is extending its range of accessories for the Light Bar 350 with this new and easy-to-mount fixing bracket, which can be used universally. The brackets simply click into place on the ends of the headlamp housing. Their mounting is very flexible, and they can be fixed onto all mounting surfaces. As a result, they lend themselves perfectly to most mounting configurations.

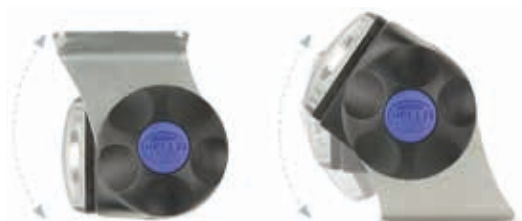
These new brackets for the Light Bar 350 can be used for both auxiliary headlamps and work lights. All nuts, screws and brackets are made from marine-grade stainless steel. The new bracket - with its anti-theft screw cap device - offers continuously variable adjustment.



### SCOPE OF SUPPLY

- 2 x stainless steel mounting brackets
- 2 x stainless steel M8 x 20 mm hexagon socket screws
- 2 x stainless steel/nylon M8 lock nuts
- 2 x end adaptors
- 2 x friction washers
- 2 x end clamps
- 2 x screw caps

8HG 958 139-841



Mounting brackets can be positioned to suit most fixing positions.



They are also ideal for mounting on angled surfaces.

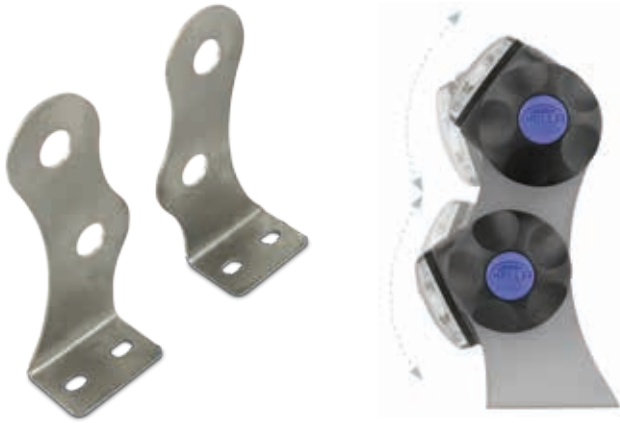
## APPLICATION EXAMPLE



## ACCESSORIES - BRACKET FOR DOUBLE MOUNTING

The new, easy-to-mount bracket assembly from HELLA for the Light Bar 350 enables double mounting of auxiliary headlamps or work lights.

Two headlamps can be positioned above one another and adjusted individually. This enables perfect alignment, and they also allow illumination to be adjusted to individual requirements.



Mounting brackets allow continuously variable illumination adjustment.

### SCOPE OF SUPPLY

- 2 x stainless steel double-mounting brackets (for combination with 8HG 958 139-071)

8HG 958 128-811

## SPARE PART/ACCESSORIES

Can be used in combination with double-mounting bracket 8HG 958 128-811 or individual mounting brackets.

### SCOPE OF SUPPLY

- 1 x stainless steel M8 x 20 mm hexagon socket screw
- 1 x stainless steel/nylon M8 lock nuts
- 1 x end adaptors
- 1 x friction washer
- 1 x end clamp
- 1 x screw cap

8HG 958 139-071

Please order 2 units per headlamp.

